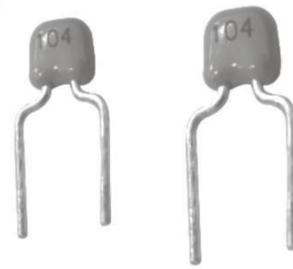


MULTILAYER CERAMIC RADIAL, AXIAL CAPACITORS EPOXY DIPPED (MLC)

MLC Series 積層陶瓷型電容器 (獨石電容器)

Description

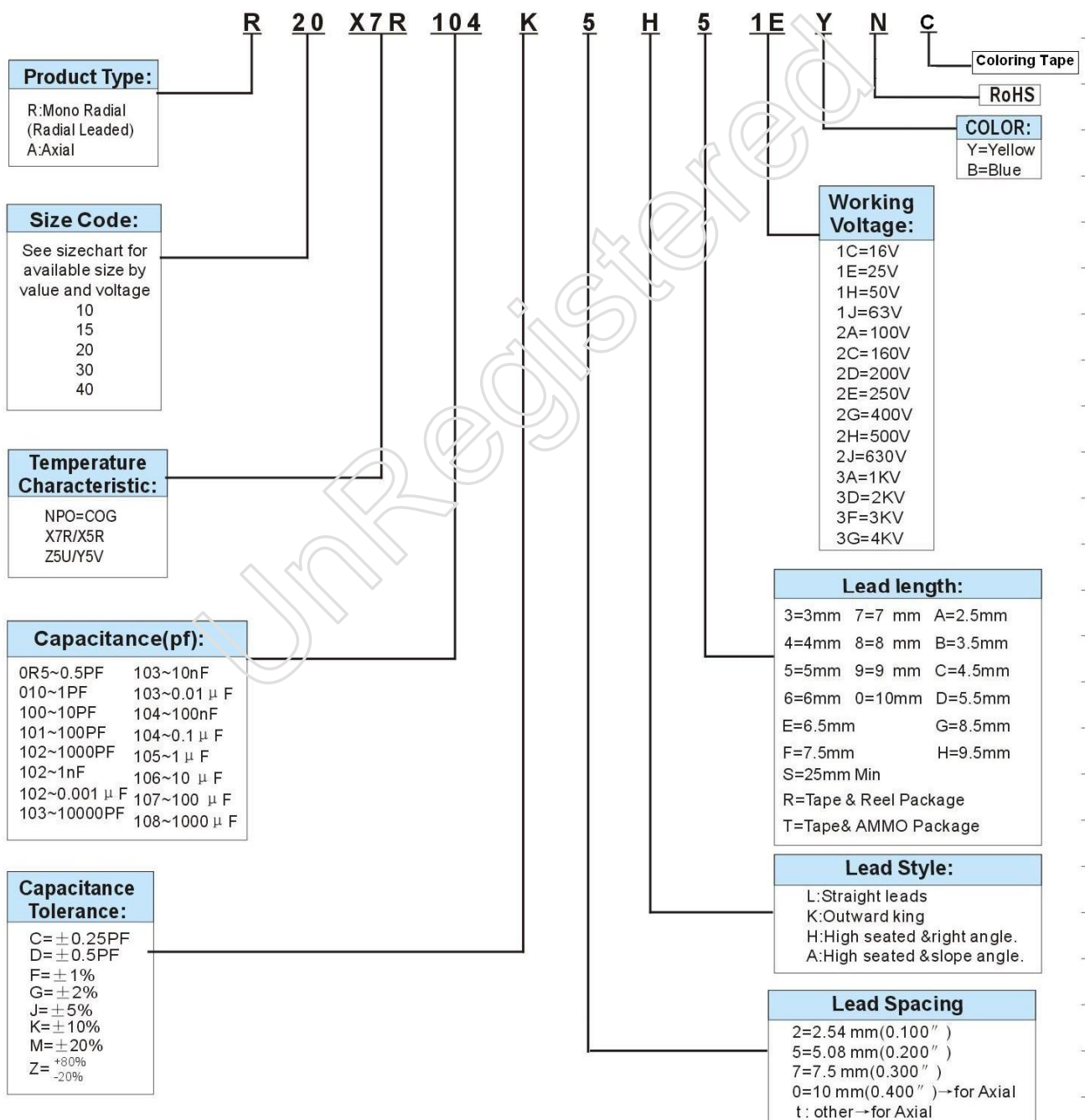
ZONKAS Multilayer ceramic radial, axial capacitors epoxy dipped are built by superior moisture and shock resistant epoxy coating can be supplied in bulk or taped ammo/ reel package for automatic insertion in PCB. Our series capacitors have wide applications in computer, data processing, telecommunication, industrial control and instrumentation equipment, etc.



32

HOW TO ORDER

ZONKAS Part Number are designed as:

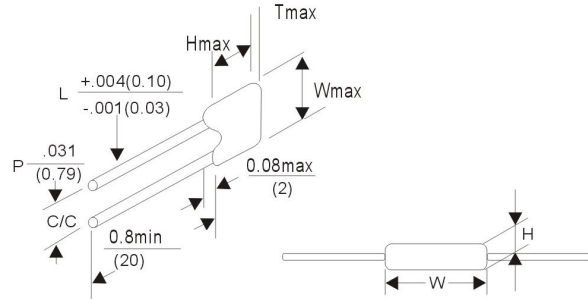
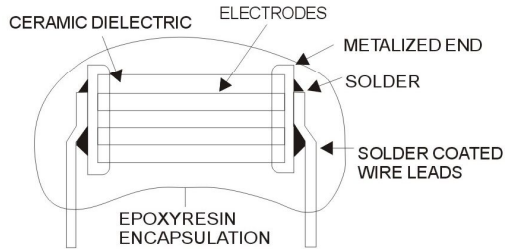




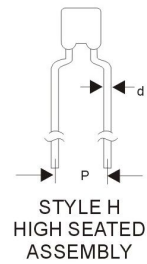
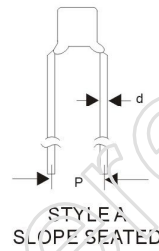
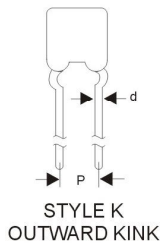
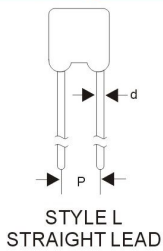
MULTILAYER CERAMIC RADIAL, AXIAL CAPACITORS EPOXY DIPPED (MLC)

MLC Series 積層陶瓷型電容器 (獨石電容器)

Monolithic Construction



Lead Styles:

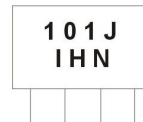


Size code and dimensions: units in inches (mm)

SIZE CODE	W	H	T	LEAD DIAMETER(C)	LEAD LENGTH(L)	LEAD SPACING(S)	LEAD STYLES
R10	0.10" ±0.04 2.5±1	0.08" ±0.04 2±1	0.08" ±0.04 2±1	0.020" 0.50±0.1	0.10" (2.50)	0.100" (2.54)	H.L.
					1.0" (25.0)	0.200" (5.08)	H
R15	0.14" ±0.04 3.5±1	0.14" ±0.04 3.5±1	0.10" ±0.04 2.54±1	0.020" 0.50±0.1	0.10" (2.50)	0.100" (2.54)	H.L.
					1.0" (25.0)	0.200" (5.08)	H.A.
R20	0.18" ±0.06 4.5±1.5	0.18" ±0.06 4.5±1.5	0.12" ±0.06 3±1.5	0.024" 0.60±0.1	0.10" (2.50)	0.100" (2.54)	L
					1.0" (25.0)	0.200" (5.08)	H.A.
R30	0.25" ±0.06 6.35±1.5	0.25" ±0.06 6.35±1.5	0.13" ±0.06 3.3±1.5	0.024" 0.60±0.1	0.10" (2.50)	0.100" (2.54)	K
					1.0" (25.0)	0.200" (5.08)	H.A.
R40	0.32" ±0.06 8.1±1.5	0.3" ±0.06 7.6±1.5	0.16" ±0.06 4±1.5	0.027" 0.70±0.1	0.10" (2.50)	0.200" (5.08)	L
					1.0" (25.0)	0.300" (7.62)	H.A.
A15	0.18" ±0.06 4.5±1.5	0.12" ±0.06 3±1.5		0.020" 0.50±0.15	0.8" (20mini)		Axial

Marking

First line marked the Capacitance value.
 Second line marked the TOL, WVDC, & T.C.
 TDL: J=±5%, K=±10%, M=±20%, Z=+80/-20%.
 WVDC: 1E=25V, 1H=50V, 1J=63V, 2A=100V, 2C=160V, 2D=200V.....same how to order
 T.C.: N=NPO(COG), X=X7R, Y=Y5V



COLOR	SIZE CODE	Capacitance	Tolerance	Rated Voltage	Temp. Char.
YELLOW, BLUE	R10	✓	—	—	—
YELLOW, BLUE	R15	✓	—	—	✓
YELLOW, BLUE	R20	✓	—	—	✓
YELLOW, BLUE	R30	✓	—	—	✓
YELLOW, BLUE	R40	✓	✓	✓	✓

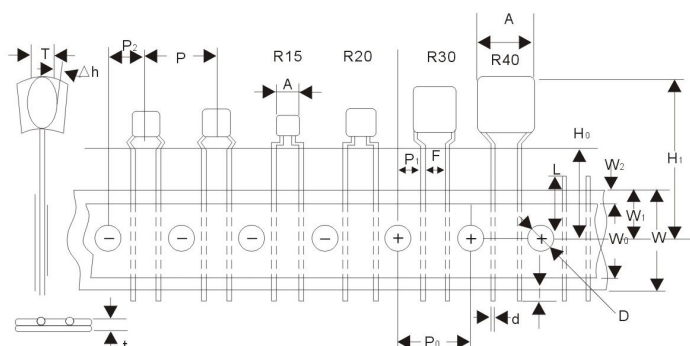
TAPING DIMENSIONS OF RADIAL LEADED



MLC Series 積層陶瓷型電容器 (獨石電容器)

Radial tape & reel

ZONKAS has developed a tape and reel system of radially leaded components which is suitable for the auto insertion machine.



32

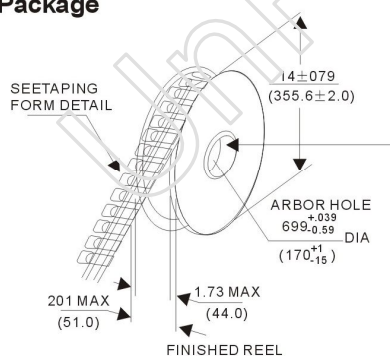
Dimension:

Units in inches (millimeter)

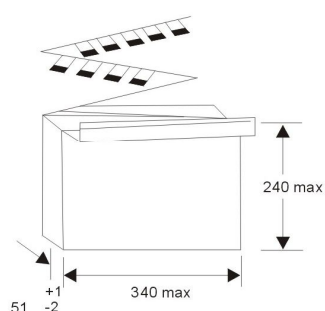
Description	Symbol	Dimensions	Description	Symbol	Dimensions
Body	A	.400"×.400"(10.16×10.16)Maximum	Feed hole pitch	P ₀	0.5"±.040"(^{12.7} ±1.02)Accumu. Lative pitch over Two units
Wire lead diameter (Mono-Kap)	d	.024"±.004"(0.61±0.1)	Feed hole off alignment	P ₁ P ₂	.150"±.020"(3.81±0.51)for F5mm .250"±.040"(6.35±1.02)
Feed Hole Diameter	D	.157"±0.012"(4±0.30)	Overall tape thickness	t	.035"(0.89)Maximum
Lead end protrusion	l	0.04"(1.0)max	Body thickness	T	.18"(4.5)Maximum
Lead spacing	F	.20"±.030"(5.08±0.76) .10"±.030"(2.54±0.76)	Lead crimp height	H ₀	.630"±.020"to.710±.020 (16.0±.051to18.0±.051)
Body inclination	Δh	0±.040"(.0±1.02)	Carrier tape width	W	.710"±.020"(18.03±0.51)
Top height	H ₁	1.27"(32.25)Maximum	Adhesive tape width	W ₀	0.2"-0.51" (5-13)
Rejected component out height	L	.433"(11.00)Maximum	Feed hole height off alignment	W ₁	.350"±0.20(8.89±0.51)
Taping pitch	P	.500"±0.39(12.70±0.99)	Adhesive tape margin	W ₂	.120"(3.05)±0.04"(1)

Reel and box dimensions (mm)

Reel Package



AmmoBox Package



Packaging quantity

Size Code	Taping Type	
	Quantity per reel	Quantity Ammo per box
R10	4,000	2,000
R15	4,000/3,000	2,000
R20	4,000/3,000	2,000
R30	3,000	2,000
R40	3,000	1,500
A15		5,000